



OFFICE OF THE NOTIFIED AREA COUNCIL, BOUDHGARH.

e-mail: boudhgarhnac@yahoo.co.in, Ph. No-06841-222024

Quotation Call No. 584

Date 20.02.2024

QUOTATION CALL NOTICE

Sealed Quotations are invited from the reputed manufacturer / Suppliers/ Agencies having valid GST registration certificate upto date tax clearance certificate, PAN etc for supply of following sanitary materials like iron wheel barrow & tricycle to the Boudhgarh NAC . The Quotation will be received from Dt 21.02.2024 to 27.02.2024 upto 5.30 pm by post or courier. The quotation will be opened on 28.02.2024 at 11.00 AM in presence of the quotationer or authorized representative .All the required information is available in NAC website i.e. www.boudhgarhnac.in & district website www.boudhnic.in

The rate quoted should be inclusive of all taxes, transportation charges. The payment should be released after certification of the concern section .The quotation paper can be downloaded from the website of NAC Boudhgarh & NIC Boudh. The cost of tender paper for Rs4000/-(Rupees four thousand)only Should be payable in shape of DD (demand draft)along with the Quotation Paper. The authority reserve the right to accept or reject any quotation without assigning any reason thereof.

K. Bahua.
20/02/2024
Executive Officer
Boudhgarh N.A.C.

Memo No: - 585

Date:- 20.02.2024

Copy to Notice Board for wide circulation of above Quotation call Notice.

K. Bahua.
20/02/2024
Executive Officer
Boudhgarh N.A.C.

Memo No: - 586

Date:- 20.02.2024

Copy submitted to the AURO Agency Bhubaneswar to upload the Office Website for kind information .

K. Bahua.
20/02/2024
Executive Officer
Boudhgarh N.A.C.

Memo No: - 587

Date:- 20.02.2024

Copy submitted to the District Information Officer, NIC Boudh for information . He is requested to upload the above quotation call notice in District Website

K. Behera.
20/02/2024
Executive Officer,
Boudhgarh N.A.C
N.A.C. Boudhgarh

Memo No: - 588

Date:- 20.02.2024

Copy submitted to the I & PR Department (jpr.adv@gmail.com) with request to publish it in one odia daily leading newspaper once on or before. .

K. Behera.
20/02/2024
Executive Officer,
Boudhgarh N.A.C
N.A.C. Boudhgarh

Memo No: - 589

Date:- 20.02.2024

Copy submitted to the Project Director, DUDA, Boudh for favour of kind information and necessary action.

K. Behera.
20/02/2024
Executive Officer,
Boudhgarh N.A.C
N.A.C. Boudhgarh

Memo No: - 590

Date:- 20.02.2024

Copy submitted to the Chairperson NAC Boudhgarh for favour of kind information and necessary action.

K. Behera.
20/02/2024
Executive Officer,
Boudhgarh N.A.C
N.A.C. Boudhgarh

PRICE BID

Sl. No	Name of the Materials	Price
1.	Iron Wheel Barrow	
2.	Tri Cycle (as per specification)	

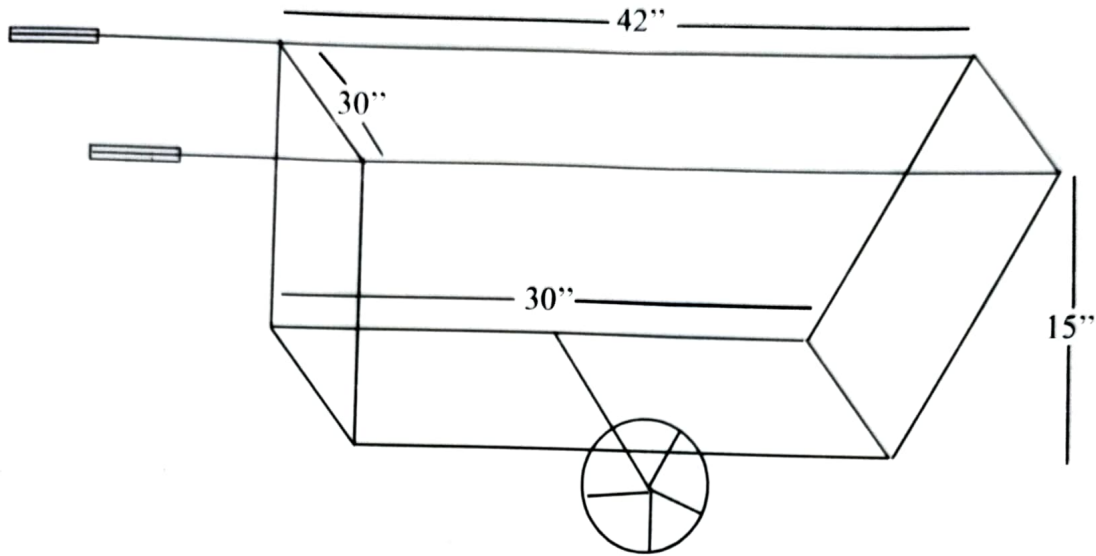
Documents to be submitted along with the bids :-

- 1) Valid GST certificate
- 2) Valid PAN card
- 3) Upto date GST filing copy

1. N.B :- The rate should be quoted in both word and figure (including all Taxes , transportations any or etc) as per the specification in the above Price bid given.

K. Behra
20/07/2024
Executive Officer,
Boudhgari N.A.C.
N.A.C. Boudhgari

IRON WHEEL BARROW



K. Behara.
20/02/2024
Executive Officer
N.A.C. Boudhgarh

TRI CYCLE

TROLLY RICKSHAW

1. LENGTH 48"
2. WIDE 36"
3. DEPTH 18"

WITH A OPENABLE DOOR AT BACKSIDE OF THE TROLLY

K. Behara.
20/02/2024.
Executive Officer
N.A.C. Boudhgarh